

True connect POWER SPLITTER



WIRELESS SUPPLY
HIGHER STANDARDS. SUPERIOR QUALITY.

MODEL # 2WPS/70960/N

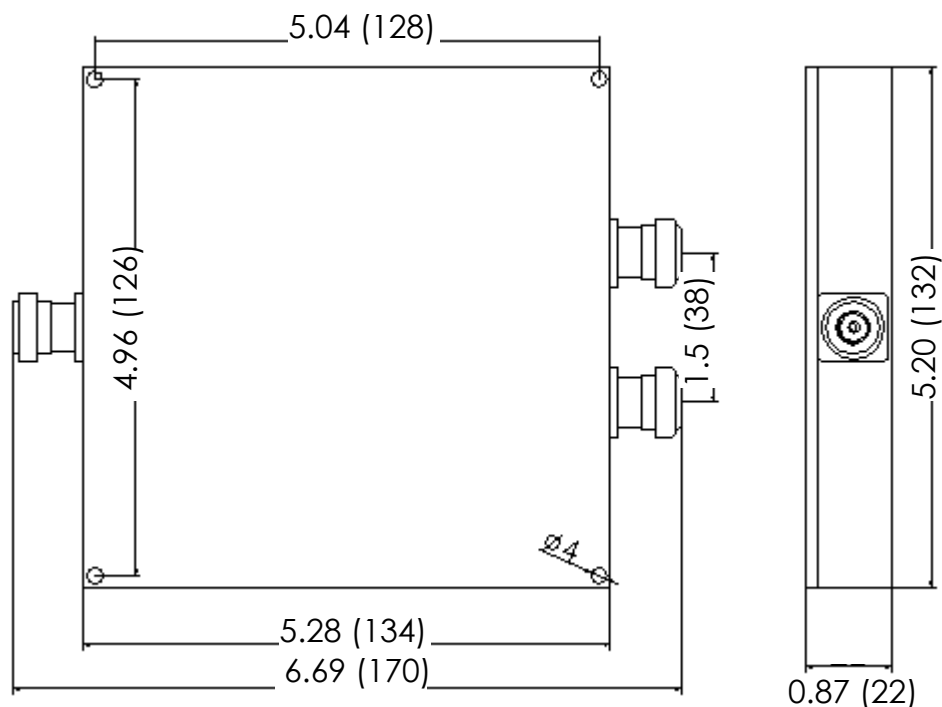


FEATURES

- Wilkinson design
- Low VSWR (1.5:1)
- High Isolation
- Compact and lightweight

Specifications

Frequency Range (MHz)	70-960
Power Rating, Combining (W)	1
Power Rating, Splitting (W)	100
Insertion Loss (dB)	0.9
Split Loss (dB)	3
Peak Power (kW)	1
Impedance (Ω)	50
Connector	N Female
Isolation (dB)	>19
Operating temperature - °F (°C)	-22~160 (-30~70)
Weight (lbs)	1.1
Environmental	IP65 Indoor



www.wirelessupply.com

© 2019 All rights reserved. Proprietary information. Wireless Supply reserves the right to modify or amend specifications without prior notice